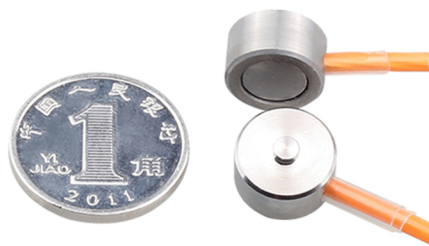


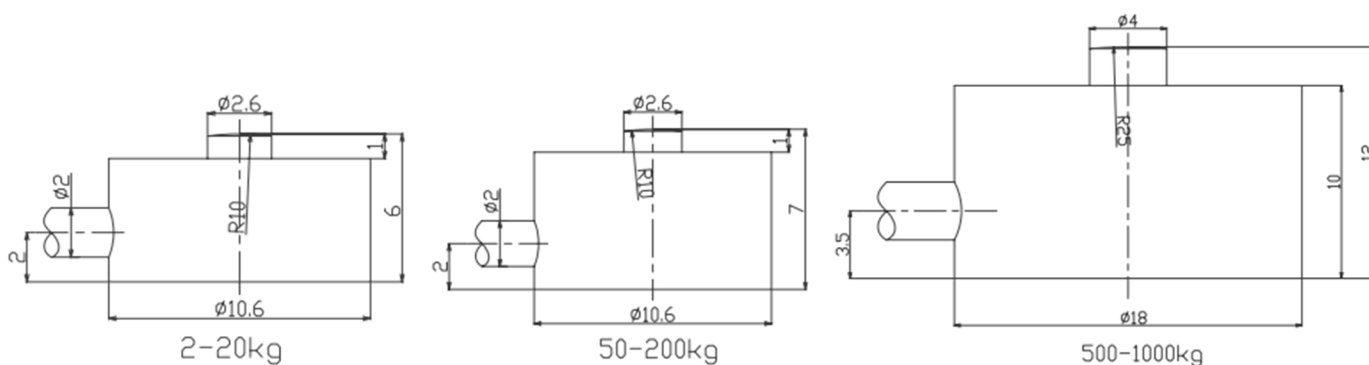
# UM

## Force Transducer

- Maximum capacity (E<sub>max</sub>) (kg):  
2, 5, 10, 20, 50, 100, 200, 500, 1000
- Be suitable for a wide range of applications including testing or weighing systems, and it can be put into the device, in order to monitor the force.



### Dimensions(mm)



### Specifications

Rated Load	kg	2, 5, 10, 20, 50, 100, 200, 500, 1000
Rated Output	mV/V	1.2-1.5
Zero Balance	%F.S.	±2
Comprehensive Error	%F.S.	±0.5
Creep after 30 minutes	%F.S.	±0.5
Recommended excitation voltage	VDC	3/5(max)
Input impedance	Ω	350±5
Output impedance	Ω	350±3
Insulation resistance	MΩ	≥5000 (50VDC)
Safe overload	%R.C.	150
Ultimate overload	%R.C.	200
Material		Stainless Steel
Degree of protection		IP65