

称重传感器 LOAD CELL

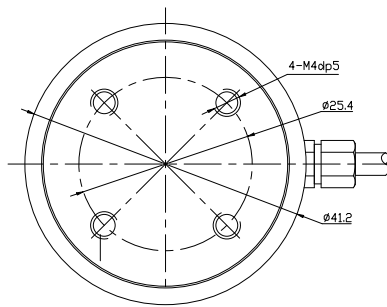
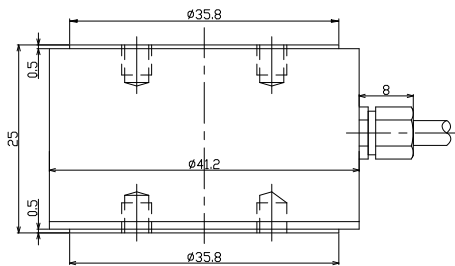
LCF605 称重传感器

LCF605 Load Cell

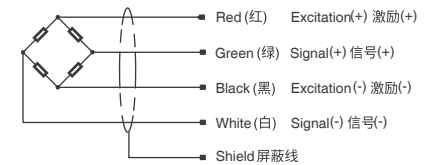


- Maximum capacity (E_{max}) 额定载荷 (kg):
10, 20, 30, 50, 100, 200, 500, 1000
- Be suitable for a wide range of applications including testing or weighing systems.
适用于力的测量及控制, 实验机等测力装置

外形尺寸 Dimensions (in mm)



接线图 Wiring code



技术参数 Specifications

额定载荷 Rated Load	kg	10,20,30,50,100,200,500,1000
额定输出 Rated Output	mV/V	2.0 ±10%
零点输出 Zero Output	%R.O.	±2
综合误差 Comprehensive Error	%R.O.	0.3
重复性 Repeatability	%R.O.	0.3
蠕变 (30 分钟) Creep after 30 minutes	%R.O.	0.5
推荐激励电压 Recommended excitation voltage	VDC	10
输入阻抗 Input impedance	Ω	350±5
输出阻抗 Output impedance	Ω	350±3
绝缘阻抗 Insulation resistance	MΩ	≥3000 (50VDC)
安全过载 Safe overload	%R.C.	150
极限过载 Ultimate overload	%R.C.	200
弹性元件材料 Material		Stainless Steel 不锈钢
电缆长度 The length of the cable	m	2
防护等级 Degree of protection		IP65
接线方式 Wiring code	Ex:	红 Red: + 黑 Black: -
	Sig:	绿 Green: + 白 White: -