

称重传感器 LOAD CELL

LCF530-DD 称重传感器

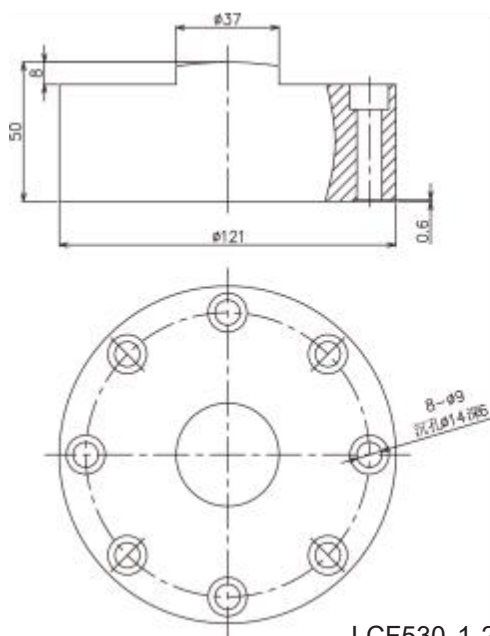
LCF530-DD Load Cell



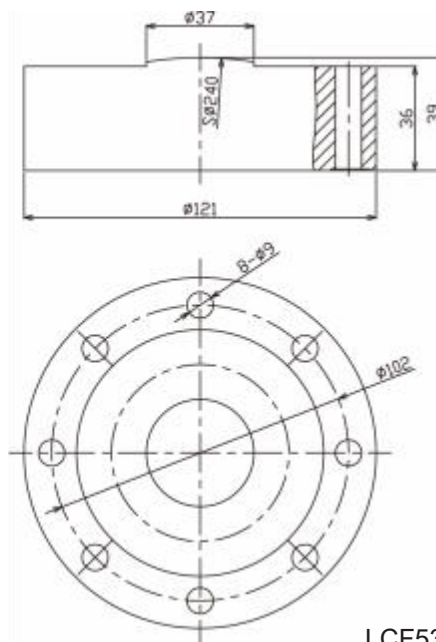
- Maximum capacity (Emax)额定载荷 (t):  
1, 2, 10, 20, 50
- Be suitable for the fields of Truck scales, Rail scales, Ground scales, Heavy capacity Platform scales, Hopper and Tank Weighing, Testing Machines.

适用于汽车衡、轨道衡、地上衡、大量程平台秤、料斗秤和料罐秤、材料实验机

外形尺寸 Dimensions(in mm)



LCF530-1-2tDD



LCF530-10-50tDD

技术参数 Specifications

额定载荷 Rated Load	T	2, 10, 20, 50
额定输出 Rated Output	mV/V	2
零点输出 Zero Output	%R.O.	±1
综合误差 Comprehensive Error	%R.O.	±0.03
蠕变 (30 分钟) Creep after 30 minutes	%R.O.	±0.03
推荐激励电压 Recommended excitation voltage	VDC	5-12(MAX15)
输入阻抗 Input impedance	Ω	750±10
输出阻抗 Output impedance	Ω	700±3
绝缘阻抗 Insulation resistance	MΩ	≥3000 (50VDC)
安全过载 Safe overload	%R.C.	150
极限过载 Ultimate overload	%R.C.	300
弹性元件材料 Material	Alloy Steel 合金钢	
防护等级 Degree of protection	IP67	
电缆线规格 Cable specification	m	Φ6*10