

Micro load cell

Features

- Range: 5kg...500kg
- Extremely small size, maximum height not exceeding 12mm, diameter 20mm
- Stainless steel
- Protection level IP68

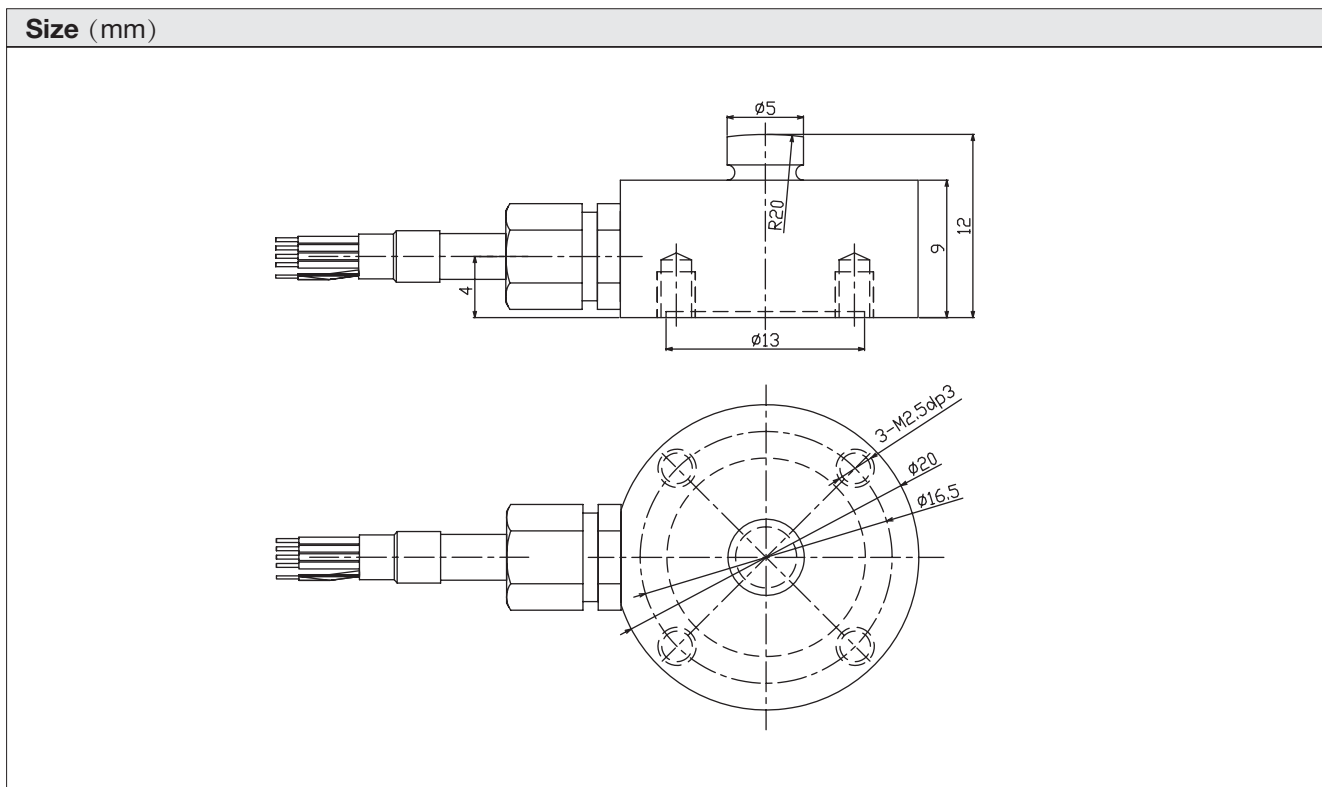
Applications

- Suitable for force control and measurement
- Can be installed inside the instrument to monitor the force during the working process



Description

LCC841 is a miniature force sensor. Because of its button-like shape, it is also called a button sensor. Made of stainless steel, it can be used normally in corrosive and humid environments. It has an extremely small size, suitable for use in narrow spaces, and can be installed inside the instrument to monitor the force during the working process.



LCD841 Micro load cell

Specification		
Rated load	5, 10, 20, 50, 100, 200, 500	t
Rated output	1.0	mV/V
Zero output	±2	%R.O.
Comprehensive error	±0.3	%R.O.
Creep (30 minutes)	±0.5	%R.O.
Repeatability	±0.2	%R.O.
Normal operating temperature range	-10~+40	°C
Allowable operating temperature range	-20~+70	°C
Effect of temperature on sensitivity	±0.1	%R.O./10°C
Effect of temperature on zero point	±0.1	%R.O./10°C
Recommended excitation voltage	5-12	VDC
Input impedance	350±5	Ω
Output impedance	350±5	Ω
Insulation impedance	≥3000 (50VDC)	MΩ
Safe overload	150	%R.C.
Ultimate overload	300	%R.C.
Elastic element material	stainless steel	
Protection level	IP68	
Cable length	2	m

Product specifications are subject to change without notice.

Wiring

