

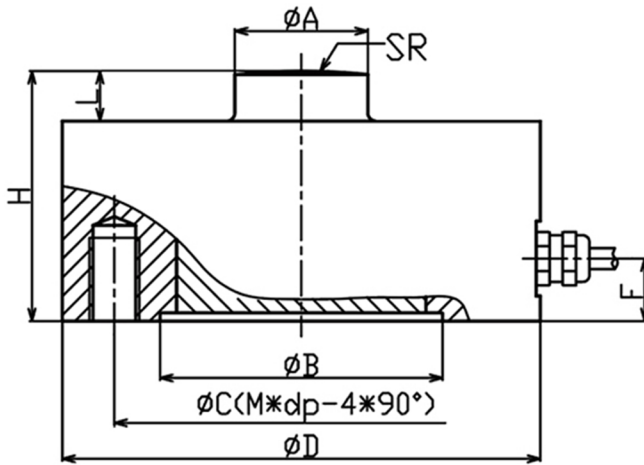
LCD800 Load Cell

Low Profile Disk Load Cell

- Maximum capacity (E_{max}) (t):
0.1, 0.2, 0.5, 1, 2, 5, 10, 20, 30, 50
- Be suitable for a wide range of applications including testing or weighing systems.

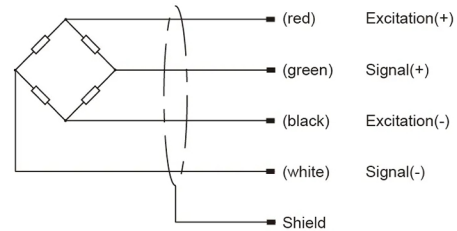


Dimensions(mm)



量程 Capacity(t)	ØA	ØB	ØC	ØD	H	L	F	SR	M*DP
0.1,0.2,0.5,1	12	34	42	50	30	7	10	60	M5*10
2,5	25	52	70	90	48	12	12	100	M10*15
10,20	32	68	90	115	60	12	15	160	M12*20
30	35	72	105	125	65	14	18	200	M12*20
50	44	81	125	155	80	15	25	300	M16*25

Wiring code



Specifications

Rated Load	kg	100, 200, 500
	t	1, 2, 5, 10, 20, 30, 50
Rated Output	mV/V	2±0.2
Zero Balance	%R.O.	±1
Comprehensive Error	%R.O.	±0.05
Creep after 30 minutes	%R.O.	±0.2
Recommend ed excitation voltage	VDC	5-12 /15(max)
Input impedance	Ω	770±10
Output impedance	Ω	700±5
Output impedance	MΩ	≥5000 (50VDC)
Safe overload	%R.C.	150
Ultimate overload	%R.C.	300
Material		Alloy Steel/Stainless Steel
Degree of protection		IP67/IP68