

Double ended shear beam load cells

Features

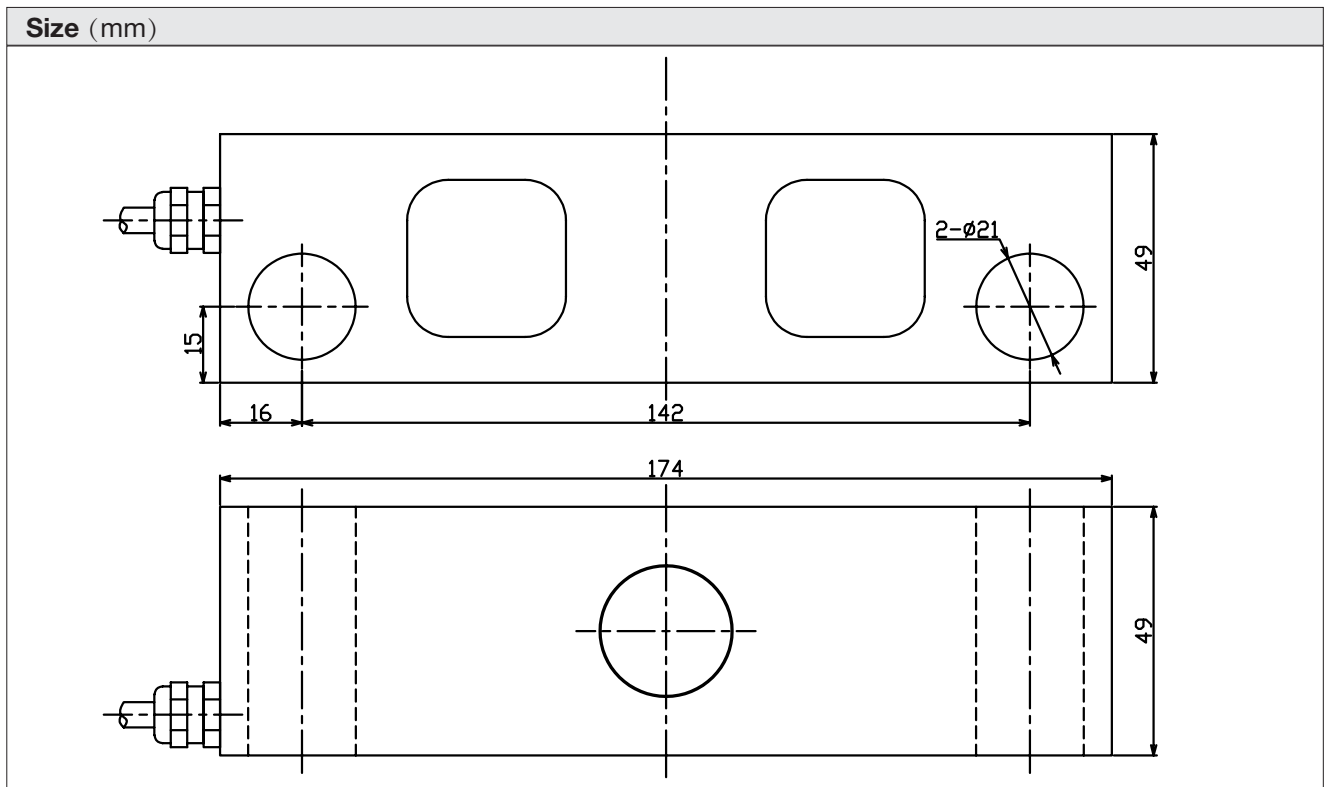
- Range: 10t...30t
- Double-ended center-loaded shear beam design
- Free horizontal displacement
- Insensitive to lateral loads
- Nickel-plated alloy steel surface

Applications

- Truck scale/railway scale/ground scale
- Hopper/silo/tank scale

Description

In some application cases such as hopper and tank weighing, DSB adopts shear beam design to provide excellent measurement performance for high-capacity loads. DSB is designed for the combined application of multiple weighing sensors, such as medium and high-capacity tanks, silos and hopper weighing applications. DSB is made of nickel-plated alloy steel with an IP65 protection grade, a certain waterproof capability, and a stainless steel fully welded sealed version is also available. It is an ideal choice for truck scales/railway scales, container weighing and batching systems.



DSB load cell

Specification		
Rated load	10, 20, 30	lbs
Sensitivity	2±0.002	mV/V
Zero output	±1	%R.O.
Creep (30 minutes)	±0.02	%R.O.
Repeatability	±0.02	%R.O.
Normal operating temperature range	-10~+40	°C
Allowable operating temperature range	-20~+70	°C
Effect of temperature on sensitivity	±0.02	%R.O./10°C
Effect of temperature on zero point	±0.02	%R.O./10°C
Recommended excitation voltage	5-12	VDC
Input impedance	760±10	Ω
Output impedance	700±5	Ω
Insulation impedance	≥5000 (50VDC)	MΩ
Safe overload	150	%R.C.
Ultimate overload	200	%R.C.
Elastic element material	Nickel-plated alloy steel	
Protection level	IP67	
Cable length	13	m

Product specifications are subject to change without notice.

Wiring

