

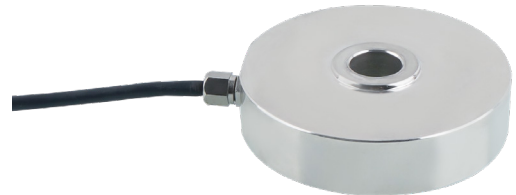
Micro load cell

Features

- Range: 0.2t...3t
- Pressure measurement
- Compact structure, simple installation
- Low cross section, compact size
- Stainless steel material
- Protection level IP68

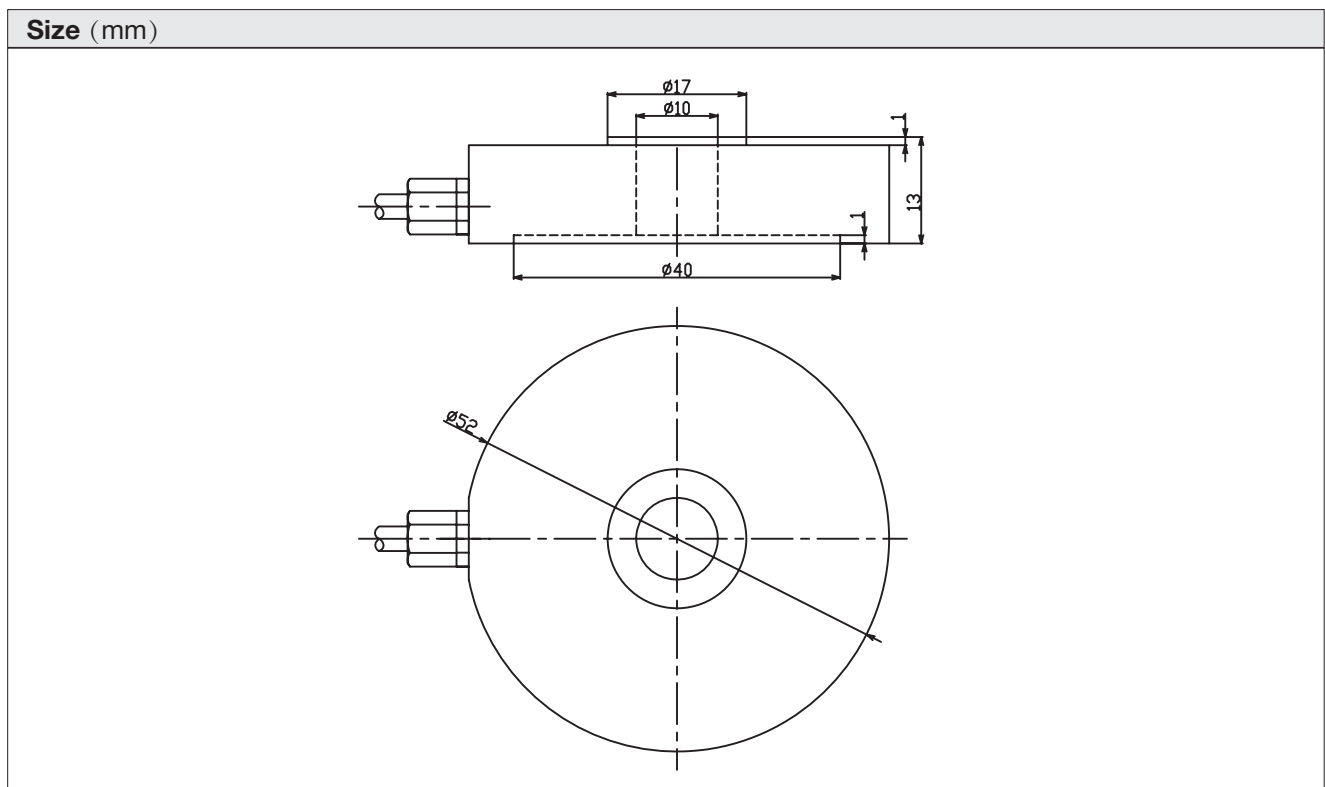
Applications

- Suitable for force control and measurement
- Can be installed inside the instrument to monitor the force during the working process



Description

804 is a miniature force sensor made of stainless steel, which can be used normally in corrosive and humid environments. It has a small size, compact structure, easy installation, high comprehensive accuracy and good stability. It can be installed inside the instrument to monitor the force during the working process.



804 Micro load cell

Specification		
Rated load	0.2, 2, 3	t
Zero output	±0.05	%R.O.
Creep (30 minutes)	±0.3	%R.O.
Repeatability	±0.1	%R.O.
Creep	±0.3	%R.O.
Normal operating temperature range	-10~+40	°C
Allowable operating temperature range	-20~+70	°C
Recommended excitation voltage	5-10	VDC
Input impedance	350±10	Ω
Output impedance	350±5	Ω
Insulation impedance	≥5000 (50VDC)	MΩ
Safe overload	150	%R.C.
Ultimate overload	300	%R.C.
Elastic element material	stainless steel	
Protection level	IP68	
Cable length	3	m

Product specifications are subject to change without notice.

Wiring

