

## 称重传感器 LOAD CELL

# 804 称重传感器

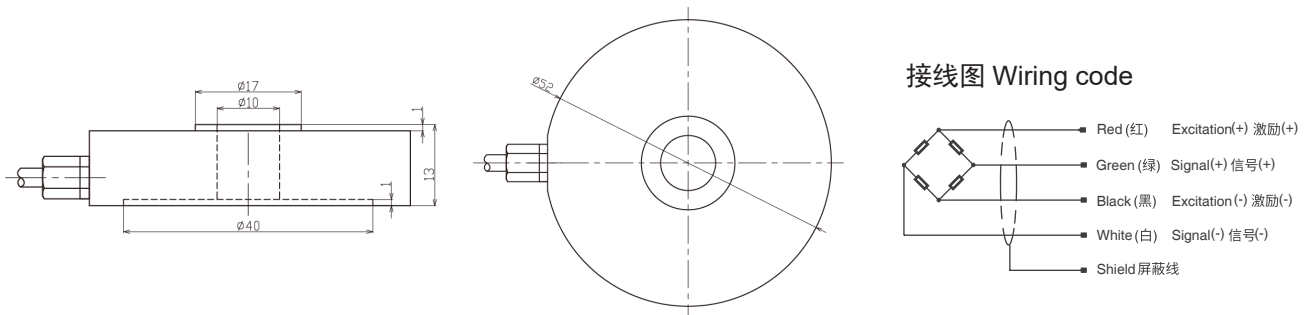
## 804 Load Cell



- Maximum capacity (E<sub>max</sub>) 额定载荷 (t):  
0.2, 2, 3
- Be suitable for a wide range of applications including testing or weighing systems, and it can be put into the device, in order to monitor the force.

适用力的控制及测量，更可装入仪器内部，以便对工作过程力进行监控

### 外形尺寸 Dimensions(in mm)



### 技术参数 Specifications

额定载荷 Rated Load	t	0.2, 2, 3
额定输出 Rated Output	mV/V	1~±0.1
零点输出 Zero Output	mV/V	≤0.05
综合误差 Comprehensive Error	%R.O.	±0.3
蠕变 (30 分钟) Creep after 30 minutes	%R.O.	±0.3
推荐激励电压 Recommended excitation voltage	VDC	5-12 /15(max)
输入阻抗 Input impedance	Ω	350±10
输出阻抗 Output impedance	Ω	350±5
绝缘阻抗 Insulation resistance	MΩ	≥3000 (50VDC)
安全过载 Safe overload	%R.C.	150
极限过载 Ultimate overload	%R.C.	200
弹性元件材料 Material	Alloy steel 合金钢	
防护等级 Degree of protection	IP65	