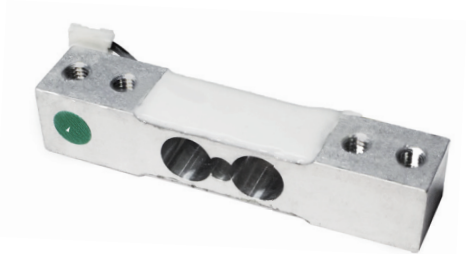


称重传感器 LOAD CELL

6012 称重传感器

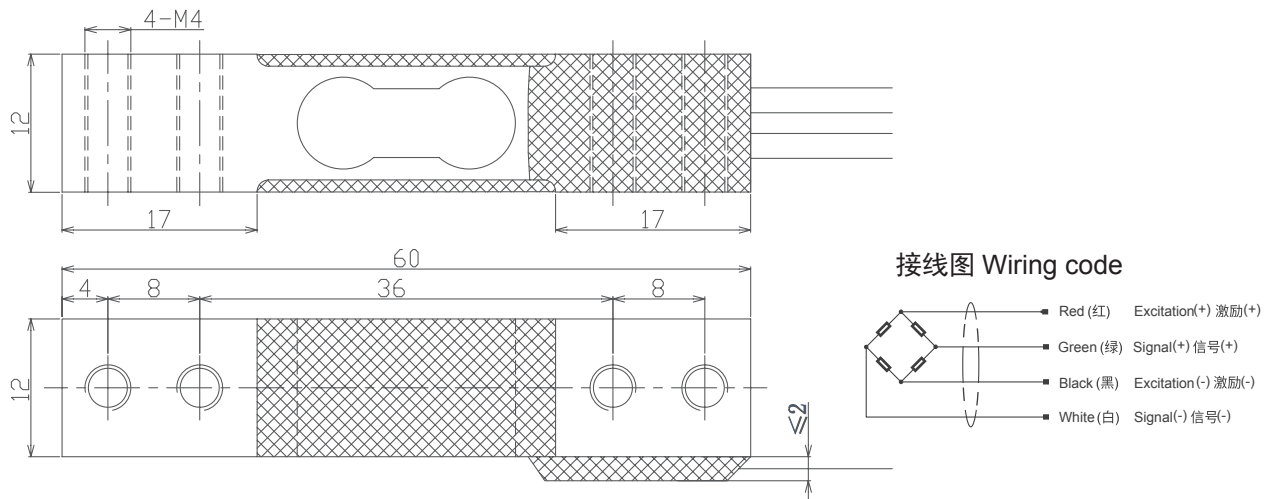
6012 Load Cell



- Maximum capacity (E_{max}) 额定载荷 (t):
0.5, 1, 2, 5
- Be suitable for the fields of Electronic Scale, Counting scales, Packaging Scales, Filing machine, Knitting machine, Industrial process control, Small size and Low profile platform scales, which has huge important on weighing and control.

应用于电子秤、零售秤、包装机、灌装机、编织机、工业过程控制以及小平台称重等

外形尺寸 Dimensions(in mm)



技术参数 Specifications

额定载荷 Rated Load	kg	0.5, 1, 2, 5
额定输出 Rated Output	mV/V	1
零点平衡 Zero Balance	%R.O.	±5
综合误差 Comprehensive Error	%R.O.	±0.05
推荐激励电压 Recommended excitation voltage	VDC	10 /15(max)
输入阻抗 Input impedance	Ω	410±10
输出阻抗 Output impedance	Ω	350±5
绝缘阻抗 Insulation resistance	MΩ	≥5000 (50VDC)
安全过载 Safe overload	%R.C.	150
极限过载 Ultimate overload	%R.C.	200
弹性元件材料 Material		Aluminum 铝合金
防护等级 Degree of protection		IP65
电缆线长度 The length of the cable	m	4
建议台面尺寸 Maximum platform size	mm	200•200